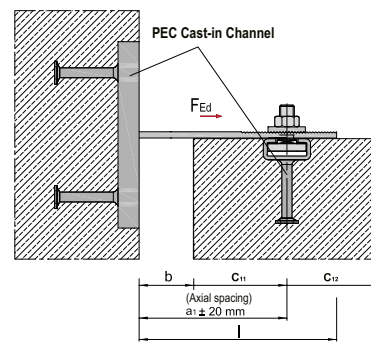
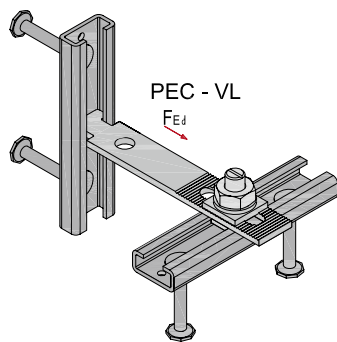


## PEC Toothed Straps Type VL



Product description	Delivery scope and material type
<p>PEC Toothed Straps of the type VL with serrated straps and counter-plates as well as welded-on PEC bolt of only tensile forces.</p> <p>Two members on both sides can safely be connected with already vertically and horizontally installed PEC Cast-in Channels with the Toothed Straps which provide flexibility in all three directions.</p>	<p><b>Material:</b> Toothed Straps are available zinc-plated and in stainless steel A4 (1.4401/1.4571)</p> <p><b>Delivery:</b> PEC Toothed Straps with counter-plates PEC Bolts for Cast-in Channels with nut and washers must be ordered separately</p> <p><b>Special Versions</b> Special design requirements and material upon request</p>

PEC Toothed Straps Type VL								
Features	Material				Dimensions			Fastening with PEC Cast-in Channels and PEC T-Bolts
Design Resistance $F_{Rd}$	Zinc plated		Stainless Steel A4		Length	Tolerance	Slotted-holes	
kN	Type	a1 mm	Type	a1 mm	mm	mm	mm	
+4,9	PEC - VL 28/15 gvz - 050	50	PEC - VL 28/15 A4 - 050	50	90	a1 ± 20	LL 11 x 55	PEC-TA 28/15 Short pieces 150 - 250 mm
	PEC - VL 28/15 gvz - 075	75	PEC - VL 28/15 A4 - 075	75	115			
	PEC - VL 28/15 gvz - 100	100	PEC - VL 28/15 A4 - 100	100	140		LL 11 x 55 RL 11	
	PEC - VL 28/15 gvz - 125	125	PEC - VL 28/15 A4 - 125	125	165			
	PEC - VL 28/15 gvz - 150	150	PEC - VL 28/15 A4 - 150	150	190			
	PEC - VL 28/15 gvz - 175	175	PEC - VL 28/15 A4 - 175	175	215			
	PEC - VL 28/15 gvz - 200	200	PEC - VL 28/15 A4 - 200	200	240			
	PEC - VL 28/15 gvz - 225	225	PEC - VL 28/15 A4 - 225	225	265			
PEC - VL 28/15 gvz - 250	250	PEC - VL 28/15 A4 - 250	250	290	Tightening Torque $T_{inst}=15 \text{ Nm}$			
PEC - VL 28/15 gvz - 275	275	PEC - VL 28/15 A4 - 275	275	315				
+9,8	PEC - VL 38/17 gvz - 075	75	PEC - VL 38/17 A4 - 075	75	115	a1 ± 20	LL 13x55 RL 13	PEC-TA 38/17 Short pieces 150 - 250 mm  PEC-T 38/17 M 12x50 Tightening Torque $T_{inst}=25 \text{ Nm}$
	PEC - VL 38/17 gvz - 100	100	PEC - VL 38/17 A4 - 100	100	140			
	PEC - VL 38/17 gvz - 125	125	PEC - VL 38/17 A4 - 125	125	165			
	PEC - VL 38/17 gvz - 150	150	PEC - VL 38/17 A4 - 150	150	190			
	PEC - VL 38/17 gvz - 175	175	PEC - VL 38/17 A4 - 175	175	215			
	PEC - VL 38/17 gvz - 200	200	PEC - VL 38/17 A4 - 200	200	240			
	PEC - VL 38/17 gvz - 225	225	PEC - VL 38/17 A4 - 225	225	265			
	PEC - VL 38/17 gvz - 250	250	PEC - VL 38/17 A4 - 250	250	290			
	PEC - VL 38/17 gvz - 275	275	PEC - VL 38/17 A4 - 275	275	315			
	PEC - VL 38/17 gvz - 300	300	PEC - VL 38/17 A4 - 300	300	340			

The specified load capacity applies to the strap PEC VL. The channel capacities must be designed separately with PEC software.