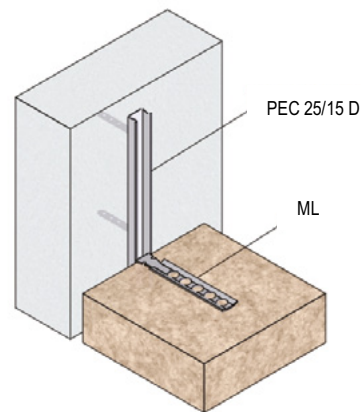


PEC Brick Tie System

PEC Brick Tie Systems guarantee the safe and long-term bond of masonry with concrete or steel structures.

The Brick Tie Channels are cast into the concrete element. Our tear-resistant plastic rip-line facilitates the removal of the filling material after concreting. The corresponding brick tie anchors are inserted into the cast-in brick tie channel and are pressed into the masonry joint mortar.

For connections with welded framing channels on steel structures our brick tie anchors fit into the standard profiles of dimensions 28/15 and 38/17.



Composite brickwork support and reinforced concrete construction with PEC Brick Tie System.

PEC Brick Tie Channels

	Description	Finish	Matching brick tie anchorr
	PEC-MS-D 25/15 with punched anchor	sv Stainless Steel A4	Typ ML
	PEC-TA 28/15 according ETA-13/0245 PEC-M 28/15 PEC-L 28/15	HDG Stainless Steel A4	Typ ML
	PEC-TA 38/17 according ETA-13/0245 PEC-M 38/17	HDG Stainless Steel A4	Typ BL

PEC Brick-Work Connector

	Description	Finish	Measurements (mm)			
			Type MV	Length	Width	Thickness
	PEC-MV	Stainless Steel	300	300	17,50	0,50